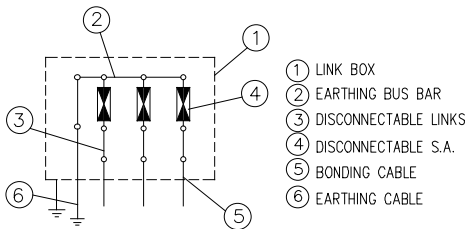
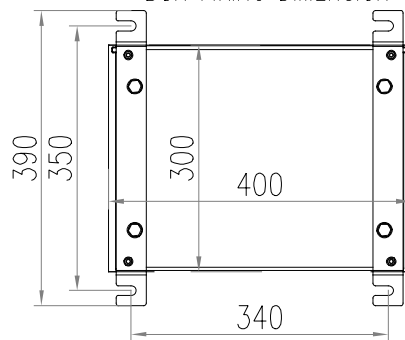


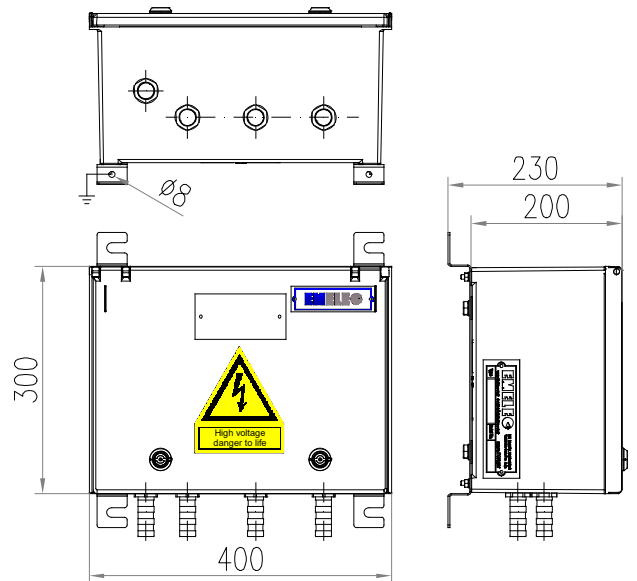
BOX FIXING DIMENSION



- ① LINK BOX
- ② EARTHING BUS BAR
- ③ DISCONNECTABLE LINKS
- ④ DISCONNECTABLE S.A.
- ⑤ BONDING CABLE
- ⑥ EARTHING CABLE

LIST OF MAIN PARTS

Item	Name of parts	Materials	Specifications	
1	CABINET	FRP (SMC)	Protection degree	IP66
2	SURGE ARRESTERS	ZnO	Bonding cable (Single)	max.50 mm ²
3	SUPPORT INSULATOR	EPOXY	Weight	app. 6,2 Kg.
4	CABLE LUGS (opt.)	TINNED COPPER	Volume of Filling compound (optional)	-
5	GLAND FOR BONDING CABLE	FRP (SMC)	Colour	RAL 7035
6	GLAND FOR EARTHING CABLE	FRP (SMC)		
7	EARTHING BUS BAR	TINNED COPPER		
8	DISCONNECTABLE LINK BARS	TINNED COPPER		
9	COVER	FRP (SMC)		



TYPE / DRAWING NO :

ARTICLE NO:

LB.MV.3SA.3.1 / 19.04.56

23256001

Earthing Bonding Link Box with SVL For Wall Type
(Medium Voltage)

Drawn : 24.09.2024 / G.O.
Approved : 24.09.2024 / S.E.

LINK BOX TECHNICAL DATA SHEET

Drw. No. 19.04.56
Article No. 23256001

Issued Date: 18.11.2024
Rev. Date: -
Rev. 00

Type	LB. MV . .3SA . 3 . 1	
- Description	Medium Voltage Earthing Link Box with SVL for Single Cable	
- Designation		Wall Type
- Bonding		Earthing
- Sheath Voltage Limiter		qty 3
- Phase No.		3
- Earth		1
Drawing Number		19.04.56
- Article No		23256001
Electrical Characteristics		
- Rated Frequency	50/60	Hz
- SVL Type (*)	Up to 6 kV / PMPP	
Protection Class		
		IP 66
Material		
- Enclosure	Fiber Reinforced Polymers (FRP)	
- Body Thickness	3 mm	
- Cover Thickness	3 mm	
- Connection Links	10 µm Tinned Electrolytic Copper	
- Connection Links Dimension	30x3 (90 mm ²)	
- Material of connection links cover	N/A	
- Safety Earthing Connection	w/o Safety Earthing Connection	
- Gasket	Silicone	
- Cable Glands	4x21 mm (FRP)	
- Other Glands (PD Sensor Cables / IR Sensor Cables ... etc.)	N/A	
- Cable Glands Insulation	Silicone gasket & PVC tape	
- Other Glands Insulation	N/A	
- Insulation	Epoxy Support Insulator + Stainless Steel Base Plate	
- Conductor Fixing	Cable Lug - Max.50 mm ²	
- Painting Process	N/A	
- Painting Code	RAL 7035	
- Labeling Material	Stainless Steel	
- Fixing Bolts	A2 - AISI 304	
- Protection Cover	N/A	
- Separators	w/o separator	
- Insulating Sheds	N/A	
AC Impulse Test		
- Phase-to-Phase	35	kV
- Phase-to-Earth	17.5	kV
Voltage Withstand Test		
- AC	10	kV/1 min
- DC	15	kV/5 min
Short Circuit Test		
- Symmetrical	N/A	
Internal Power Arcing Test (Symmetrical)		
	N/A	

* In case of mismatch in given values, technical drawing provided along with the Order Confirmation is valid. Ask for conformity if SVL is out of order scope.

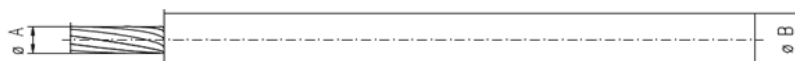
LINK BOX TECHNICAL DATA SHEET

Drw. No. 19.04.56
Article No. 23256001

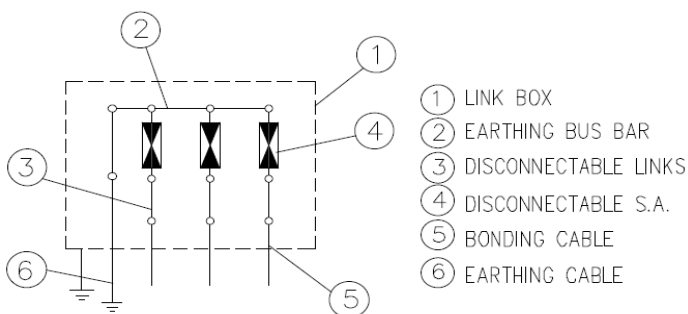
Issued Date: 18.11.2024
Rev. Date: -
Rev. 00

Bonding Cable (*)

- Type	Gland Dia		A		B		C		D		Single
Cross-Section (mm ²)	Outer (mm)	Inner (mm)	min (mm)	max (mm)	min (mm)	max (mm)	min (mm)	max (mm)	min (mm)	max (mm)	
Max. 50 mm ²	21	17		11	8	13	N/A	N/A	N/A	N/A	



Schematic Diagram



Enclosure Dimensions

Width	400 mm
Length	390 mm
Height	230 mm
Weight	6.2 kg

Filling Compound (Optional)

Volume	N/A
--------	-----

* Customer bonding cable data sheet needs to be provided during order stage due to different cable specifications.