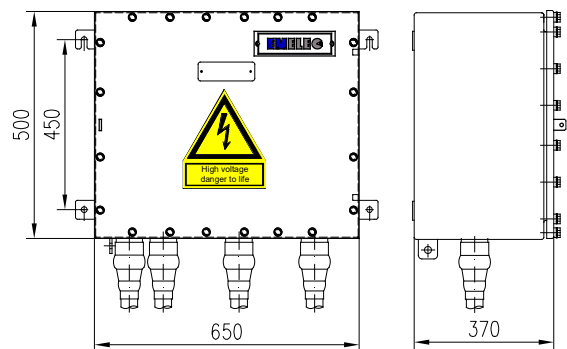


LIST OF MAIN PARTS

Item	Name of parts	Materials
1	CABINET	STAINLESS STEEL
2	SUPPORT INSULATORS	EPOXY
3	SUPPORT INSULATORS	EPOXY
4	SURGE ARRESTER	ZnO
5	CABLE END FIXING CLAMP	TINNED COPPER
6	GLAND FOR BONDING CABLE	STAINLESS STEEL
7	GLAND FOR EARTHING CABLE	STAINLESS STEEL
8	BUS BARS	TINNED COPPER
9	DISCONNECTABLE LINK BAR	TINNED COPPER
10	SUPPORT BAR	TINNED COPPER
11	ADJUSTABLE SUPPORT BAR	TINNED COPPER
12	PROTECTION COVER	PLEXYGlass
13	PADLOCK FACILITY	STAINLESS STEEL
14	BOX EARTHING BAR	STAINLESS STEEL
15	DOOR FIXING BOLTS	STAINLESS STEEL
16	COVER	STAINLESS STEEL

Specifications	
Protection degree	IP68
Bonding cable (Single)	300-500 mm ²
Weight	app. 80 Kg.
Volume of Filling compound (optional)	-
Colour	RAL 7032



TYPE / DRAWING NO :	ARTICLE NO:
LB.W.3SA.3.1 / 12.08.03	15203001
Earthing Bonding Link Box With SVL For Wall Type	Drawn : 01.02.2022 / G.O.
	Approved : 01.02.2022 / S.E.

LINK BOX TECHNICAL DATA SHEET

Drw. No. 12.08.03
Article No. 15203001

Issued Date: 10.05.2019
Rev. Date: 6.12.2022
Rev. 05

Type	LB. W . .3SA . 3 . 1
- Description	Earthing Link Box with SVL for Single Cable
- Designation	Wall Type
- Bonding	Earthing
- Sheath Voltage Limiter	qty 3
- Phase No.	3
- Earth	1
Drawing Number	12.08.03
- Article No	15203001
Electrical Characteristics	
- Rated Frequency	50/60 Hz
- SVL Type (*)	Up to 10 kV / PMSP DD
Protection Class	IP 68
Material	
- Enclosure	Stainless Steel AISI304
- Body Thickness	3 mm
- Cover Thickness	3 mm
- Connection Links	10 µm Tinned Electrolytic Copper
- Connection Links Dimension	50x10 mm (500 mm2)
- Material of connection links cover	N/A
- Safety Earthing Connection	Tapped Hole M12
- Gasket	Silicone
- Cable Glands	4x48 mm
- Other Glands (PD Sensor Cables / IR Sensor Cables ... etc.)	N/A
- Cable Glands Insulation	Silicone gasket & EPR tape & Mastic Tape & Heat Shrinkable Tube
- Other Glands Insulation	N/A
- Insulation	Epoxy Support Insulator + Stainless Steel Base Plate
- Conductor Fixing	Conductor Flexconn - 300-500 mm2
- Painting Process	Electro Static Polyester Powder Paint
- Painting Code	RAL 7032
- Labeling Material	Stainless Steel
- Fixing Bolts	A2 - AISI 304
- Protection Cover	PET-G
- Separators	w/o separator
- Insulating Sheds	N/A
AC Impulse Test	
- Phase-to-Phase	60 kV
- Phase-to-Earth	40 kV
Voltage Withstand Test	
- AC	20 kV/1 min
- DC	25 kV/5 min
Short Circuit Test	
- Symmetrical	N/A
Internal Power Arcing Test (Symmetrical)	40 kA/0.1 sec

* In case of mismatch in given values, technical drawing provided along with the Order Confirmation is valid. Ask for conformity if SVL is out of order scope.

LINK BOX TECHNICAL DATA SHEET

Drw. No. 12.08.03
Article No. 15203001

Issued Date: 10.05.2019
Rev. Date: 6.12.2022
Rev. 05

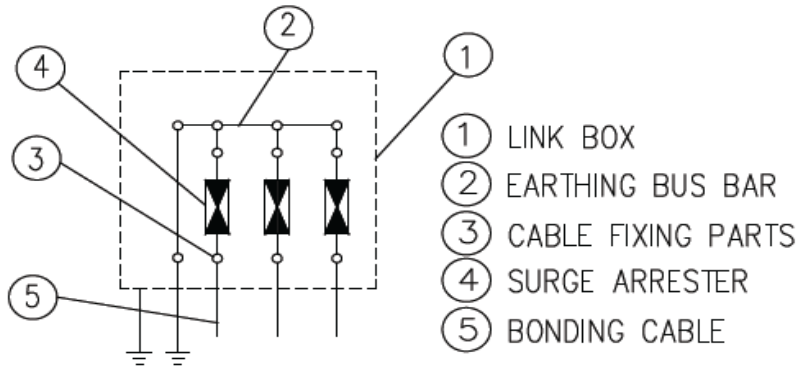
Bonding Cable (*)

- Type Single

Cross-Section (mm ²)	Gland Dia		A		B		C		D	
	Outer (mm)	Inner (mm)	min (mm)	max (mm)	min (mm)	max (mm)	min (mm)	max (mm)	min (mm)	max (mm)
300-500	48	44	20	28	22	38	N/A	N/A	N/A	N/A



Schematic Diagram



Enclosure Dimensions

Width	750 mm
Length	500 mm
Height	370 mm
Weight	80 kg

Filling Compund (Optional)

Volume	N/A
--------	-----

* Customer bonding cable data sheet needs to be provided during order stage due to different cable specifications.