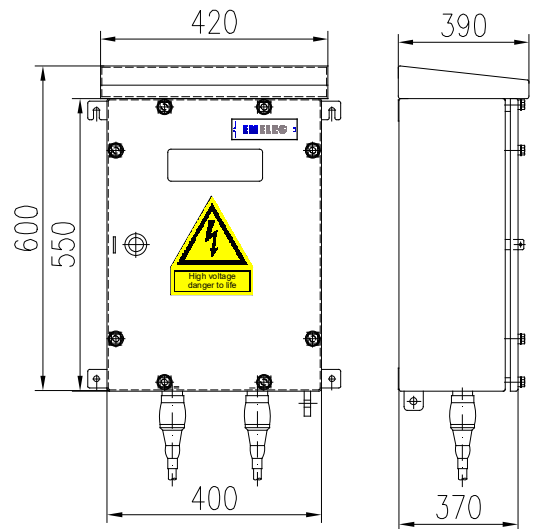


### LIST OF MAIN PARTS

Item	Name of parts	Materials
1	CABINET	STAINLESS STEEL
2	SURGE ARRESTER	ZnO
3	SUPPORT INSULATOR	EPOXY
4	CABLE END FIXING	TINNED COPPER
5	GLAND FOR BONDING CABLE	STAINLESS STEEL
6	GLAND FOR EARTHING CABLE	STAINLESS STEEL
7	BUS BAR	TINNED COPPER
8	DISCONNECTABLE EARTHING BAR	TINNED COPPER
9	SUPPORT BAR (short)	TINNED COPPER
10	SUPPORT BAR (long)	TINNED COPPER
11	PROTECTION COVER	PLEXYGlass
12	BOX EARTHING BAR	STAINLESS STEEL
13	DOOR FIXING BOLTS	STAINLESS STEEL
14	PADLOCK FACILITY	STAINLESS STEEL
15	COVER	STAINLESS STEEL

Specifications	
Protection degree	IP66
Bonding cable (Single)	300-500 mm <sup>2</sup>
Weight	app. 51 Kg.
Volume of Filling compound (optional)	-
Colour	RAL 7032



TYPE / DRAWING NO :	ARTICLE NO:
<b>LB.W.1SA.1.1 / 10.05.01</b>	<b>12501001</b>
Earthing Bonding Link Box With SVL For Wall Type	Drawn : 11.01.2022 / G.O.
	Approved : 11.01.2022 / S.E.

# LINK BOX TECHNICAL DATA SHEET

**Drw. No. 10.05.01**  
**Article No. 12501001**

**Issued Date:** 12.08.2021  
**Rev. Date:** 5.01.2022  
**Rev.** 01

Type	LB. W .	.1SA . 1 . 1
- Description	One Phase Earthing Link Box with SVL for Single Cable	
- Designation		Wall Type
- Bonding		Earthing
- Sheath Voltage Limiter	qty	1
- Phase No.		1
- Earth		1
<b>Drawing Number</b>		<b>10.05.01</b>
- Article No		12501001
<b>Electrical Characteristics</b>		
- Rated Frequency	50/60	Hz
- SVL Type (*)	Up to 18 kV / PMSP DD	
<b>Protection Class</b>		<b>IP 66</b>
<b>Material</b>		
- Enclosure	Stainless Steel AISI304	
- Body Thickness		2 mm
- Cover Thickness		3 mm
- Connection Links	10 µm Tinned Electrolytic Copper	
- Connection Links Dimension	50x10 mm (500 mm <sup>2</sup> )	
- Material of connection links cover		N/A
- Safety Earthing Connection	Tapped Hole M12	
- Gasket	Silicone	
- Cable Glands	2x48 mm	
- Other Glands (PD Sensor Cables / IR Sensor Cables ... etc.)		N/A
- Cable Glands Insulation	Silicone gasket & EPR tape	
- Other Glands Insulation		N/A
- Insulation	Epoxy Support Insulator + Stainless Steel Base Plate	
- Conductor Fixing	Conductor Flexconn - 300-500 mm <sup>2</sup>	
- Painting Process	Electro Static Polyester Powder Paint	
- Painting Code		RAL 7032
- Labeling Material	Stainless Steel	
- Fixing Bolts		A2 - AISI 304
- Protection Cover	PET-G	
- Seperators	w/o seperator	
- Insulating Sheds		N/A
<b>AC Impulse Test</b>		
- Phase-to-Phase	60	kV
- Phase-to-Earth	40	kV
<b>Voltage Withstand Test</b>		
- AC	20	kV/1 min
- DC	25	kV/5 min
<b>Short Circuit Test</b>		
- Symmetrical		N/A
<b>Internal Power Arcing Test (Symmetrical)</b>		
	40	kA/0.1 sec

\* In case of mismatch in given values, technical drawing provided along with the Order Confirmation is valid. Ask for conformity if SVL is out of order scope.

# LINK BOX TECHNICAL DATA SHEET

**Drw. No. 10.05.01**  
**Article No. 12501001**

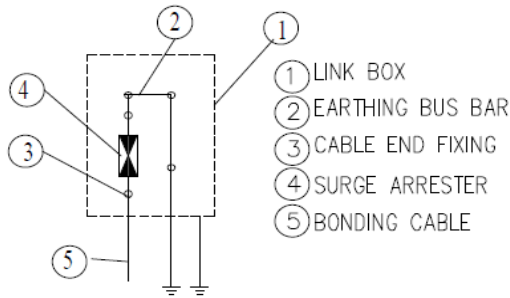
*Issued Date:* 12.08.2021  
*Rev. Date:* 5.01.2022  
*Rev.* 01

**Bonding Cable (\*)**

- Type	Gland Dia		A		B		C		D		Single
Cross-Section (mm <sup>2</sup> )	Outer (mm)	Inner (mm)	min (mm)	max (mm)	min (mm)	max (mm)	min (mm)	max (mm)	min (mm)	max (mm)	
300-500	48	44	20	28	22	40	N/A	N/A	N/A	N/A	



**Schematic Diagram**



- ① LINK BOX
- ② EARTHING BUS BAR
- ③ CABLE END FIXING
- ④ SURGE ARRESTER
- ⑤ BONDING CABLE

**Enclosure Dimensions**

Width	500 mm
Length	600 mm
Height	390 mm
Weight	51 kg

**Filling Compund (Optional)**

Volume	N/A
--------	-----

\* Customer bonding cable data sheet needs to be provided during order stage due to different cable specifications.